

# ZEO

INFINITELY CLEVER



# CONFIGURATIONS



## ZEO190

Cooling	FANLESS
Touch panel	14" True Flat Multi-Touch (PCAP)

## SPECIFICATIONS

Processor	Intel Bay Trail Quad Core J1900
Graphic controller	Intel HD
Network controller	Realtek PCIe GBE
I/O controller	Winbond NCT6106D
Graphic memory	Shared
RAM memory	1 x DDR3 4GB SO DIMM ~ 8GB FSB1333/1666Mhz
SSD	120GB Half-Slim
Screen	14" Wide 16/9 LED
Resolution	1366 x 768
I/O button	Tranche de l'écran
24V output	1 (Auto power printer ticket)

## INPUT/OUTPUT

Network	1 x 1 Gb
USB 2.0 in front	1
USB 2.0	4
Serial COM RS232	3 x COM (COM3 RJ48 COM+5V/+12V)
Cash drawer	1 x 12V/24V
LED Power	1
External power	100~240AC (50~60Hz) 19VDC 3.42A 120W

## OS COMPATIBLES

PosReady 7 (32 bit/64 bit) - Win 7 Pro (32 bit/64 bit)
Win 10 ENTRY (32 bit/64 bit)

## VARIOUS

Dimensions l x L x H	363 x 228 x 275 to 375mm
Embase	250x200mm
Weight	5,75kg
Colours	black
Setup	Horizontale de 0° to 75°
Certifications	FCC/CE Class A, LVD
Operating temperature	0°C ~ 35°C
Storage temperature	-10°C ~ 50°C
Humidity	20% ~ 85% without condensation

## PACKAGING

Unit	1
Dimensions l x L x H	400 x 500 x 340mm
Weight	8.3kg

## OPTIONS

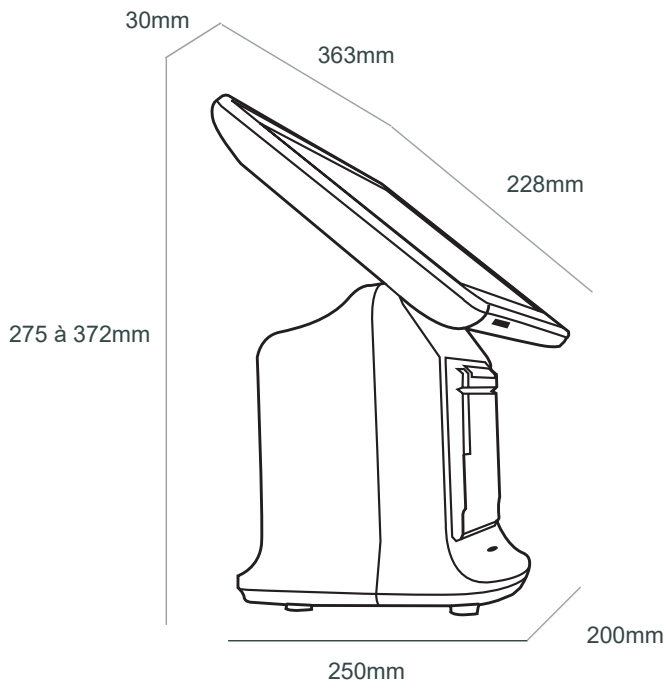
Integrated Customer Display
2 <sup>nd</sup> screen 8"
ISO 1/2/3 Magnetic Stripe Readers
Dallas reader (I-BUTTON)
NFC Reader

## TP85

Print method	Thermal
Effective print width	72mm
Print speed	250mm/s 59 lines/s
Points	203DPI
Paper loading	automatic
Emulation	Esc / Pos

For more information: TP85 product sheet

## OPTIONS



Specifications are subject to change without notice. © OXHOO 2022

